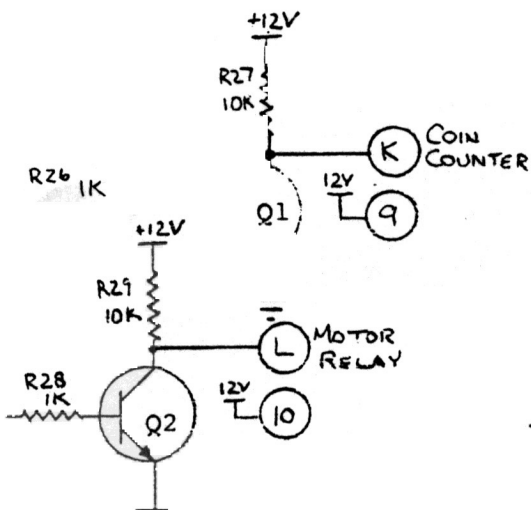
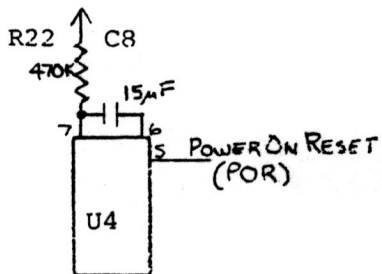


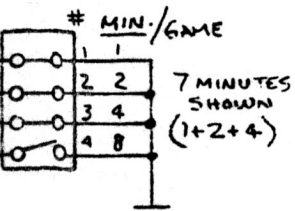
END



Snt R404  
 Snt P404  
 Snt 156/154  
 IC  
 P84  
 P66  
 P58  
 P38  
 P33  
 P18  
 P11

PART #	QTY	LOCATION	DESCRIPTION
7805	1	Q4	+5V Regulator
7812	1	Q3	+12V Regulator
2N3904	2	Q1, Q2	NPN Transistor
4N28	1	U13	Opto-Isolator ?
74LS123	1	U1, U4, U9	Dual Monostable
74LS93	7	U2, 10, 11, 14-17	4 Bit Binary Ctr.
74LS85	1	U5	4 Bit Mag. Compare
74LS47	2	U8, U12	7 Segment Dec/Drv
74LS32	1	U3	4 x 2 Input Or
74LS11	1	U7	3 x 3 Input And
74LS04	1	U6	Hex Inverter

COMPONENT LIST



LTL Logic

2525 HANDLEY-EDERVILLE RD  
 RICHLAND HILLS, TX 76118  
 817-589-7699 800-527-6054  
 FAX 817-284-7606