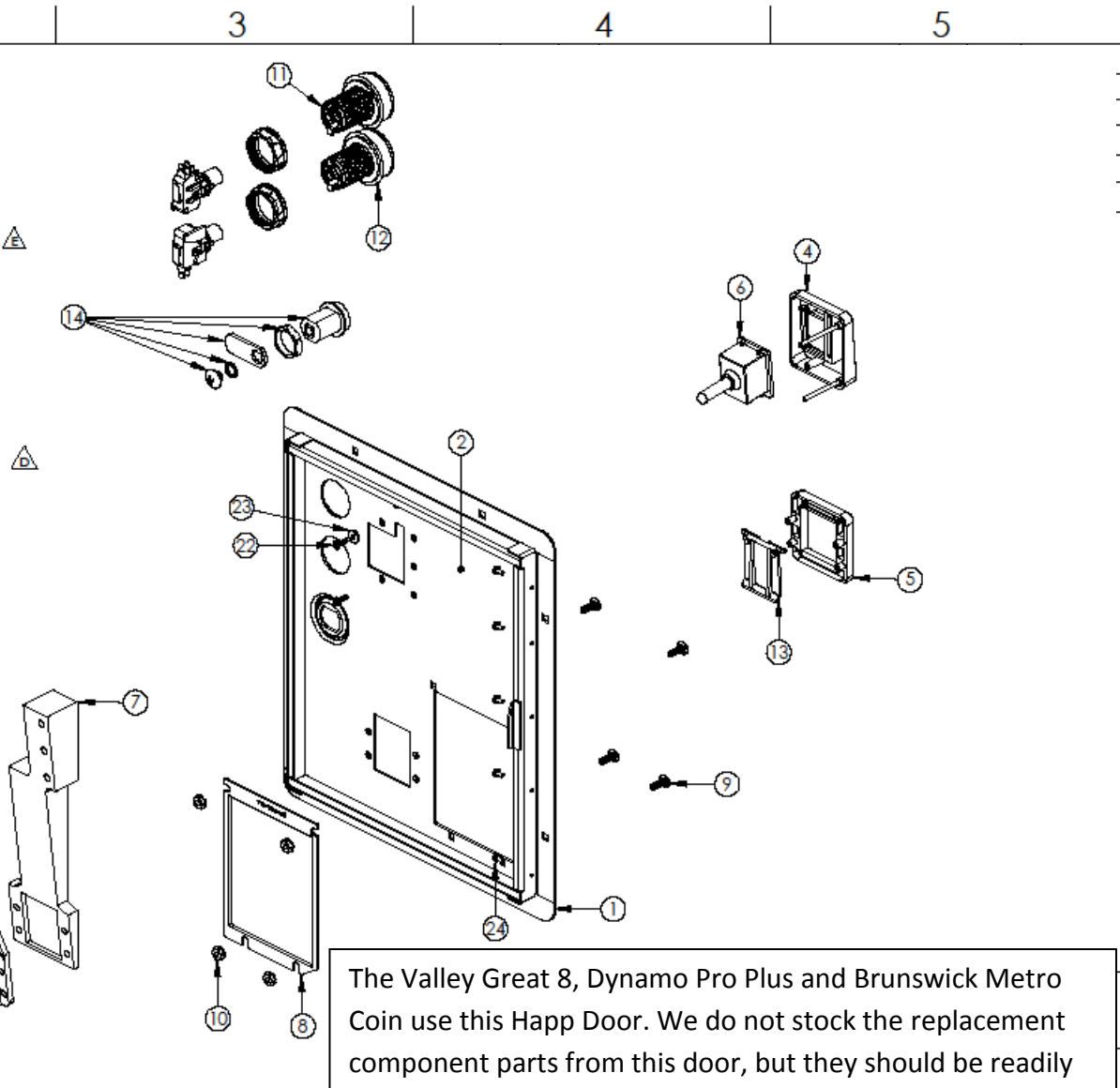


DRAWING NO.
40-0714-00EX

ITEM NO.	QTY.	PART NO.	DESCRIPTION
1	1	42-8145-00	FRAME FOR UPPER MID-WIDTH DOOR
2	1	42-7477-20	UPPER DOOR FOR O/U MID-WIDTH DR ASSY 1 ENT WITH HOLES
3	1	42-8156-00	MECH HOLDER W/2 METAL CLIPS & 14V LMP SW .25 HAPP MECH
4	1	42-0231-100	ENTRY BEZEL
5	1	42-0232-100	RETURN BEZEL
6	1	42-0038-100	REJECT BUTTON ASY. YELLOW \$1.00 4X.25 1 PLAY W/L SHAFT
7	1	42-1035-00	INCLINED PLASTIC SEPERATOR IL 7 DEGREES
8	1	891-0100-4014	CVR PLATE DBV (BLACK) LRG OPEN
9	4	43-0021-00	CARRIAGE BOLT 8-32 x 1/2
10	4	42-0082-00	NUT, KEPS 8-32
11	1	57-0000-2180431	IPB SM CIR WHITE LP CLR CAP NO LMP CM0431 START .250 MS
12	1	57-0000-2181614	IPB SM CIR WHITE LP CLR CAP NO LAMP .250 MS HP021101-1614
13	1	42-0119-00	RETURN DOOR FLAP
14	1	42-0641-00	LOCK ASSY 7/8 W/1 1/8" STRAIGHT CAM
15	1	42-0063-00	KEY HOOK
16	1	42-1039-00	BRACKET F/NRI WAKE-UP SENSOR
17	1	42-0314-00	SCREW 6-32 X 3/8 PH PH HD
18	2	43-0066-00	WASHER, #4 FLAT
19	2	43-0203-00	NUT, HEX M3
20	1	42-0065-00	SCREW 8 X 1/4
21	4	48-1000-00	SCREW FOR BEZEL
22	2	43-1003-00	SCREW, PLASTIC #4 X .42
23	1	43-1002-00	WASHER, FLAT #6
24	5	43-2198-00	SCREW, M3-5 X 5MM L. PH PH HD



The Valley Great 8, Dynamo Pro Plus and Brunswick Metro Coin use this Happ Door. We do not stock the replacement component parts from this door, but they should be readily available from Happ Controls. (888)-289-4277 or www.happcontrols.com.

Useful part numbers are shown on this drawing

