



ASSEMBLY INSTRUCTIONS

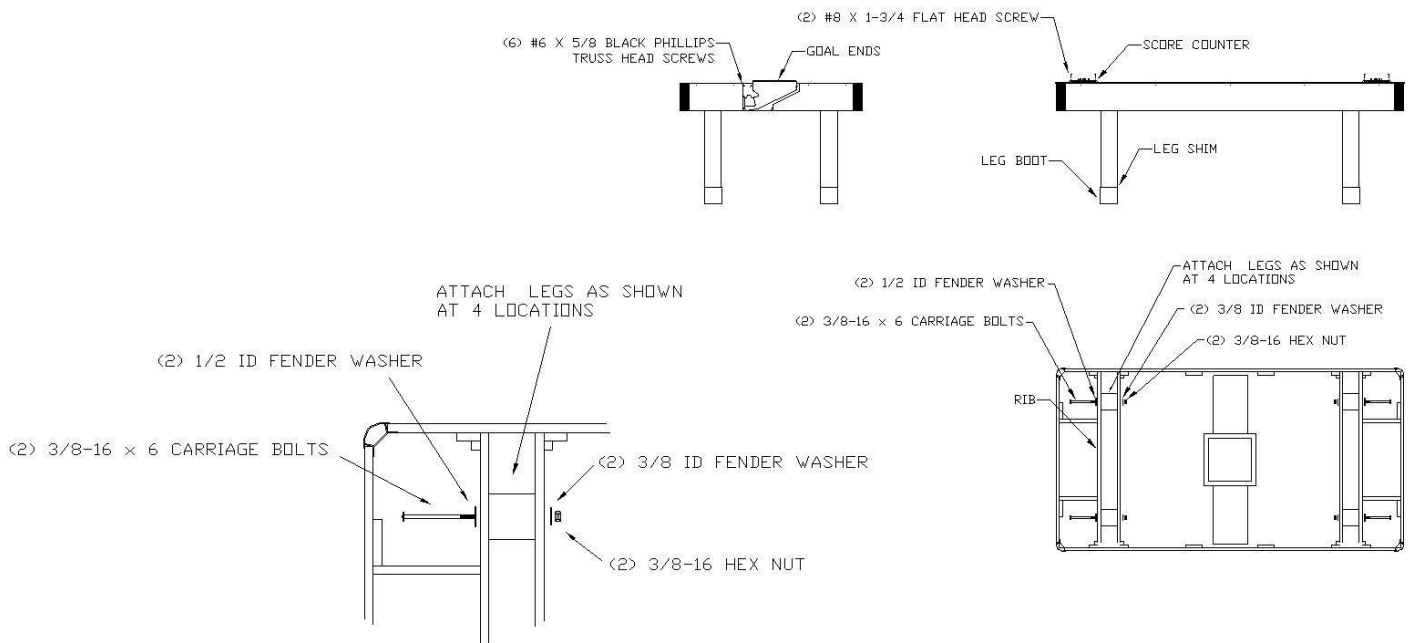
Accessory Pack Contents

• LEG BOLT (3/8-16 x 6 Carriage Bolt)	4
• NUT (3/8-16 Hex Nut)	4
• WASHER (3/8 ID Fender Washer)	8
• SMALL PUCK - Fluorescent	1
• SMALL PUCK - Soft White	1
• SCORE POST ASSEMBLY	1
• #8 x 1 3/4" FLAT HD PH BLACK SCREWS	4
• #6 x 5/8 BLACK TRUSS HEAD SCREWS	12
• SANDPAPER	2
• LEG BOOT	4
• LEG SHIMS	10
• MALLET	2

Tools Required

- PHILLIPS SCREWDRIVER
- 9/16" BOX-END OR SOCKET WRENCH
- ALL-PURPOSE CLEANER (*Fantastik, Formula 409, Windex or equivalent*)
- RUBBING ALCOHOL
- CLEAN CLOTH

1. Remove all parts and accessories from parts box and check against the enclosed list.
2. Have 2 (or more) people carefully turn the table upside down, taking care not to scratch the Corner Castings (assemble on carpet or cardboard)
3. Remove the 3/8" Carriage bolts that secure the legs during shipment and re-position the legs between the ribs. Secure the legs using the hardware as shown in the following illustration.
4. Place four (4) Leg boots on the legs.
5. Have 2 (or more) people carefully turn the table upright.
6. Attach the score beads on each end of the table as shown, using (2) #8 x 1 3/4" screws.
7. Attach the two (2) goal ends using (6) each #6 x 5/8 screws.
8. Level the table by inserting the enclosed shims into the Leg Boots as required.
9. Plug the table into an Electric Outlet.



Maintenance Procedure:

Playfield Cleaning – With the blower running, clean by applying Rubbing Alcohol to a clean cloth (**NEVER, EVER POUR THE RUBBING ALCOHOL OR ANY LIQUID DIRECTLY ONTO THE TABLE; it will cause the playfield to warp**).

Puck and Mallet Service – Use the enclosed sandpaper to lightly sand the Puck and Mallet faces until they slide smoothly on the playfield.