



**POOL CATALOG AND PARTS BREAKDOWN
ONLINE VERSION
EFFECTIVE: 1-JUNE-2010
SERVICE PARTS AND ACCESSORIES**

**Order parts through authorized distributors or from
www.valley-dynamoparts.com**

Dynamo Model Number	Size	Size of Slate	Size of Rails (at widest point)	
47 and 48	8-foot	47½" x 91½"	APPROXIMATELY 40"	
37 and 38	7-foot	43" x 83"	APPROXIMATELY 36"	
27 and 28	6½-foot	40¼" x 77½"	APPROXIMATELY 33½"	
17 and 18	6-foot	39" x 75"	APPROXIMATELY 32"	LIMITED PARTS AVAILABILITY
57	9-foot	104" x 54"	APPROXIMATELY 45"	DISCONTINUED

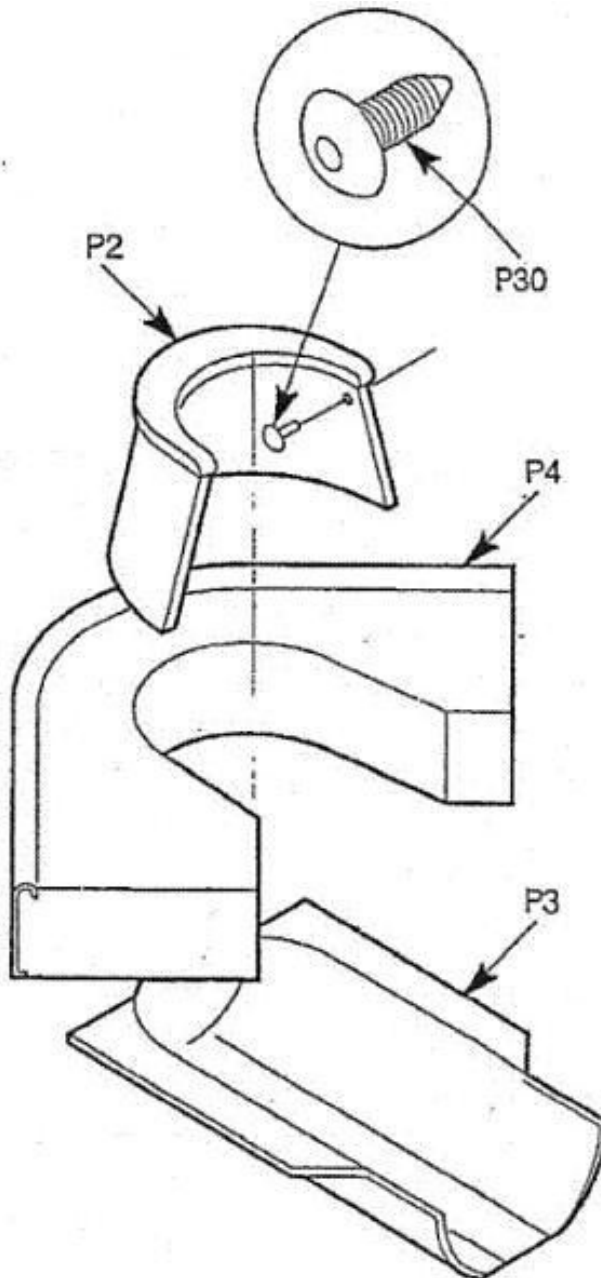
DYNAMO COIN DOOR AND COIN MECHANISM

REF.	Part number	description	old part number
	CPYOORTF	COIN COUNTER CONVERSION KIT	030200180
P9	DISCONTINUED	PUSH CHUTE END (FOR INTERNAL COUNTER)	20600044
P9A	20600046	PUSH CHUTE END W/FLANGE	
P10	DISCONTINUED	BRACKET, TRIPPER ARM	800201100
P11	800204001	UNIVERSAL TRIPPER ROD AND PIN	
P11	800204010	DOOR-MOUNT-COUNTER TRIPPER ROD AND PIN	800204002
P14	860000402	COIN DOOR FRAME WITHOUT BUTTON HOLES	
P15	860000600	COIN BOX ENCLOSURE	
P16	860000810	PLASTIC CASH BOX	
P17	860000900	COIN BOX LID	
P19	860001900	COIN DOOR, BLACK	
P26	VARIOUS	PUSH CHUTE	
P28A	21705690	COUNTER W/ARM	890200110
P29	21700120	TRIPPER ROD SPRING	
P31	DISCONTINUED	COIN COUNTER SPRING	890200600
P31A	21703940	DOOR-MOUNT COUNTER SPRING W/HOOK	
P37	980000350	COIN DOOR LOCK (2 KEYS)	



DYNAMO CORNERS AND POCKETS

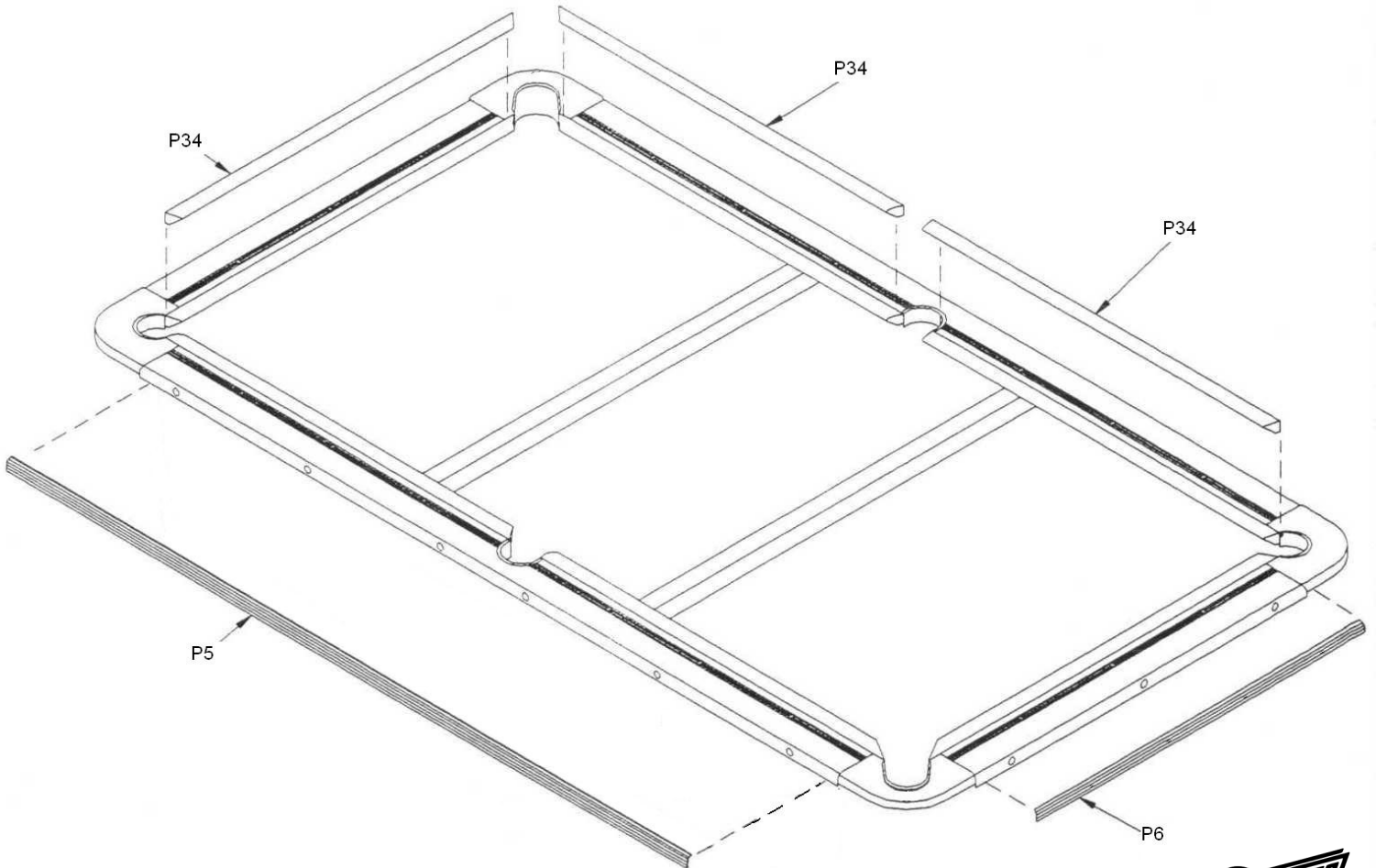
REF.	Part number	description	old part number
P2	710200400	POCKET LINERS, 3" (SET)	
P2	710200410	POCKET LINERS, FLUORESCENT, 3" (SET)	
P3	710200700	GULLEY BOOTS (SET OF 6)	
P4	720200400	CHROME CORNER CASTING	
P4	DISCONTINUED	BRASS CORNER CASTING	720202400
P4	DISCONTINUED	FLUORESCENT CORNER CASTING	720202410
P30	890200400	PUSH SCREW LOCK	



DYNAMO CUSHION RAILS AND TRIM

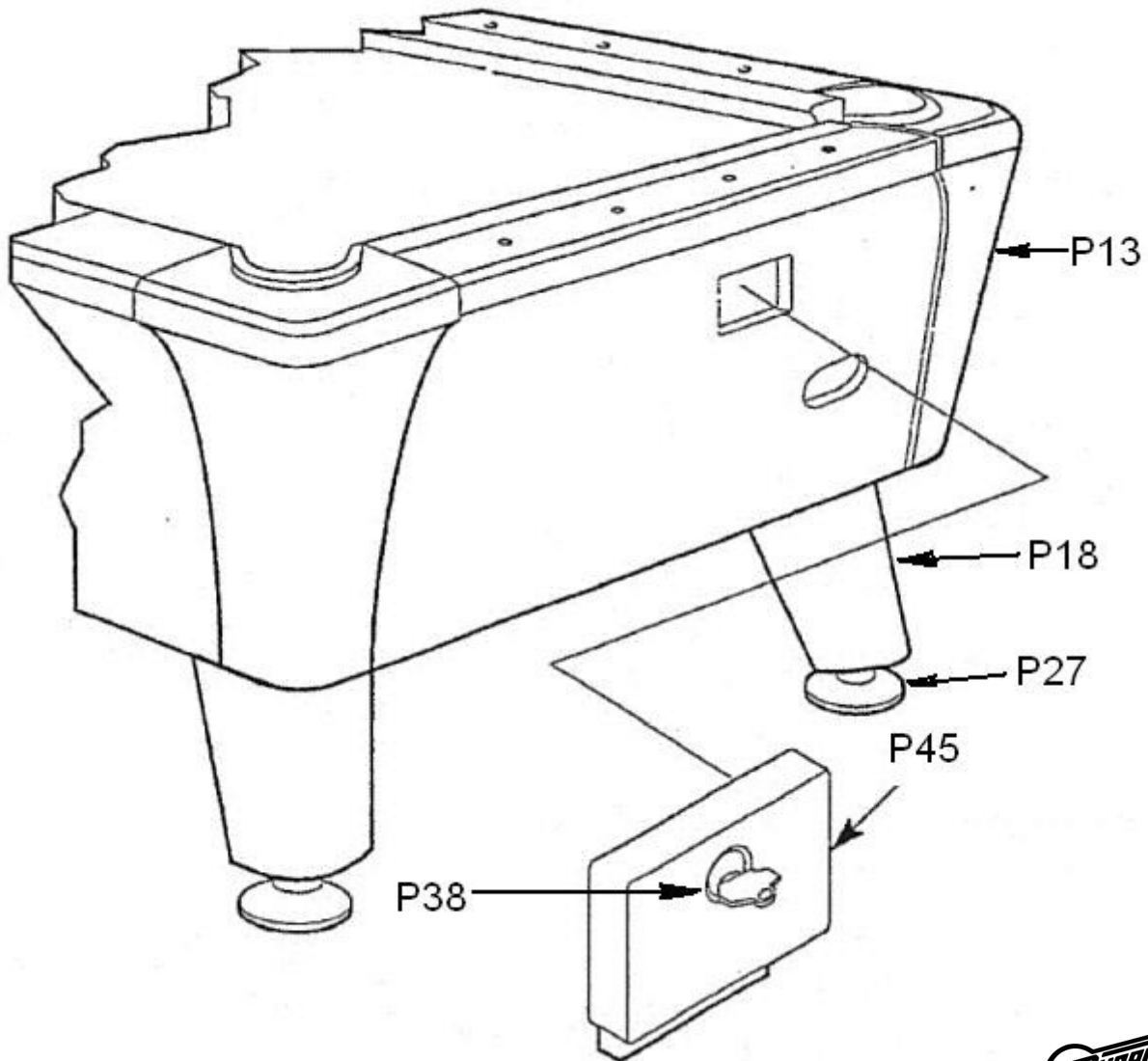
REF.	Part number	description
P5	720201017	18 SIDE RAIL MOLDING 58" LONG—SPECIAL ORDER
P5	720201027	28 SIDE RAIL MOLDING 65½" LONG—SPECIAL ORDER
P5	720201037	38 SIDE RAIL MOLDING 73 7/16" LONG
P5	720201047	48 SIDE RAIL MOLDING 81 15/16" LONG
P6	720201717	18 END RAIL MOLDING 26" LONG—SPECIAL ORDER
P6	720201727	28 END RAIL MOLDING 30½" LONG—SPECIAL ORDER
P6	720201737	38 END RAIL MOLDING 33 5/16" LONG
P6	720201747	48 END RAIL MOLDING 37 13/16" LONG
P25	20100020	RAIL MOLDING SCREW #6x ⁵ / ₈ " (if too large, use #8 x ⁵ / ₈ ")

REF.	Part number	description
P34	960201518	18 CUSHION RAIL SET - COVERED
P34	960201528	28 CUSHION RAIL SET - COVERED
P34	960202527	28 CUSHION RAIL SET - UNCOVERED
P34	960201538	38 CUSHION RAIL SET - COVERED
P34	960202537	38 CUSHION RAIL SET - UNCOVERED
P34	960201548	48 CUSHION RAIL SET - COVERED
P34	960202547	48 CUSHION RAIL SET - UNCOVERED
P23	20200020	CUSHION RAIL BOLT ¼-20 x 4½"



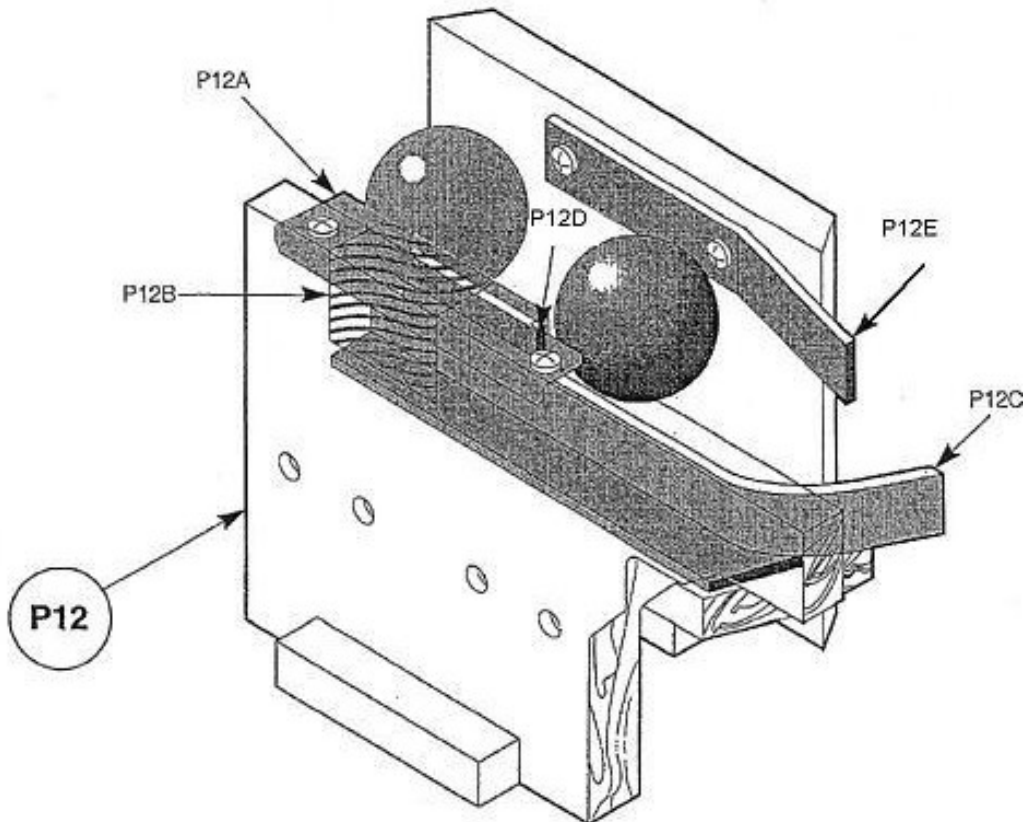
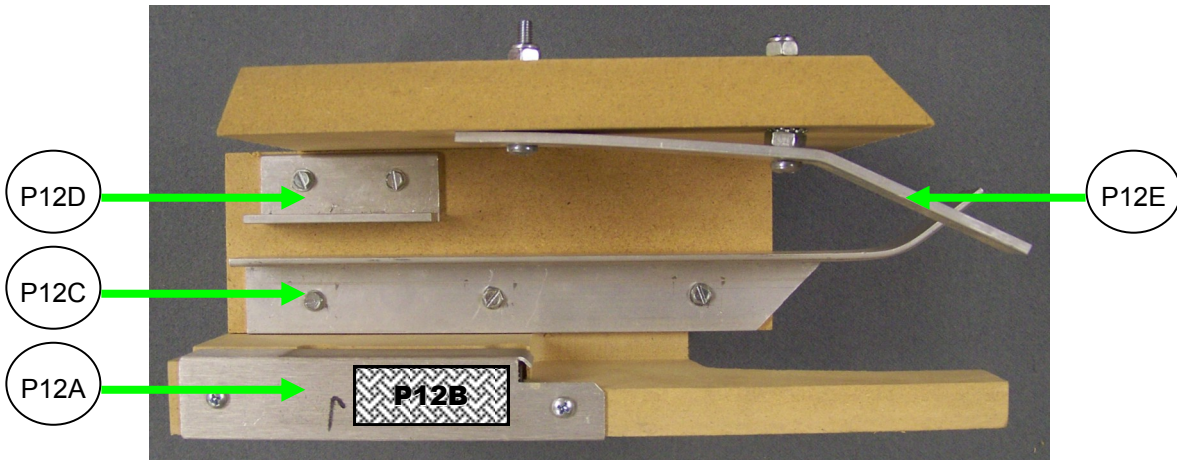
DYNAMO CLEAN OUT DOOR

REF.	Part number	description
P13	860000300	DOWN CORNER, BLACK
P18	860001325	DYNAMO LEG, BLACK
P18	860001327	DYNAMO LEG, RED (WHILE SUPPLIES LAST)
P27	20607560	LEG LEVELER
P24	20200030	LEG BOLT
P38	980000530	SERVICE DOOR LOCK 106 (W/ONE KEY)
P38	030000130	KEY 106 FOR SERVICE DOOR LOCK
P45	990203836-62	CLEAN OUT DOOR, MAPLE
P45	9902H3836	CLEAN OUT DOOR, HEARTH OAK
P45	9902B3836	CLEAN OUT DOOR, BLACK
P45	DISCONTINUED	CLEAN OUT DOOR, SUMMIT ASH
CLEAN OUT DOORS ARE THE SAME SIZE FOR ALL TABLES, LOCK NOT INCLUDED		

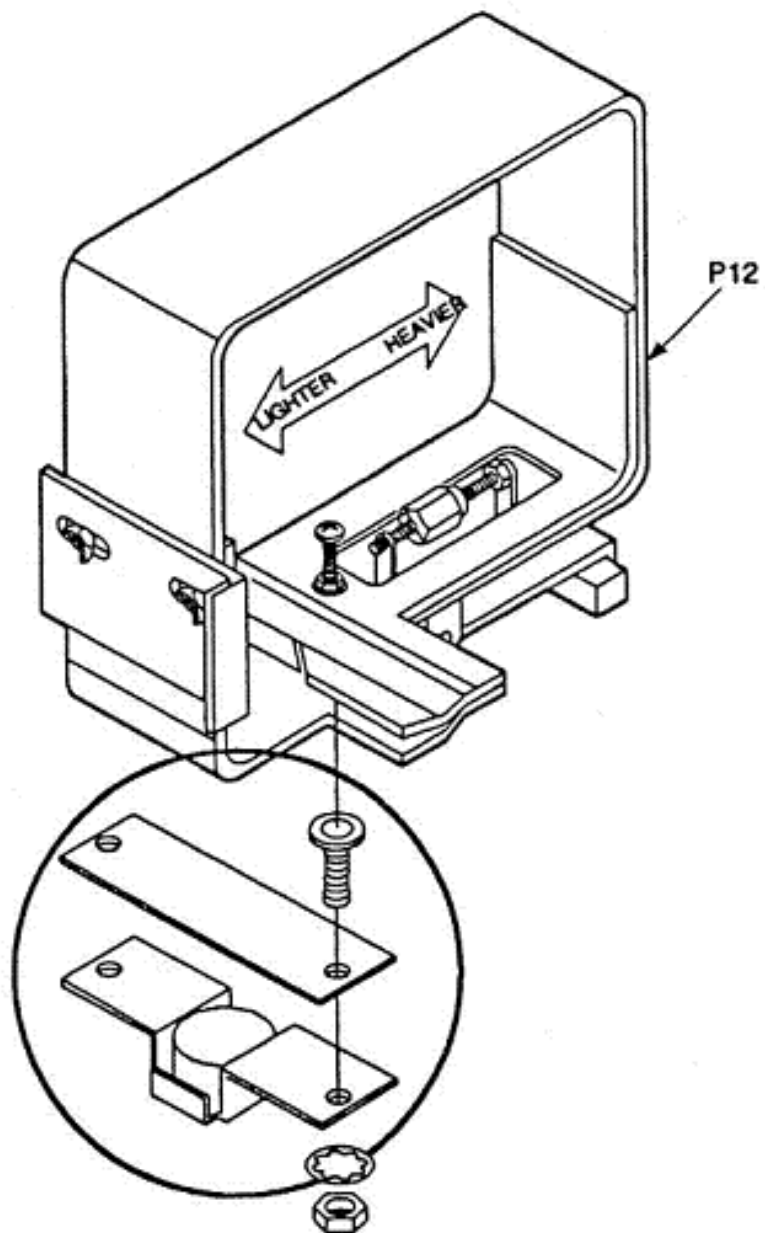


DYNAMO MAGNETIC BALL SEPARATOR

REF.	Part number	description
P12	990202350	SEPARATOR ASSEMBLY (MAGNETIC COMPLETE)
P12A	800240123	SEPARATOR MAGNET COVER
P12B	980200800	MAGNET, CUE BALL SEPARATION
P12C	950240100	SEPARATOR, LONG BOTTOM RAIL
P12D	950240110	SEPARATOR, SHORT BOTTOM RAIL
P12E	950240115	SEPARATOR, TOP RAIL



DYNAMO WEIGHTED BALL SEPARATOR

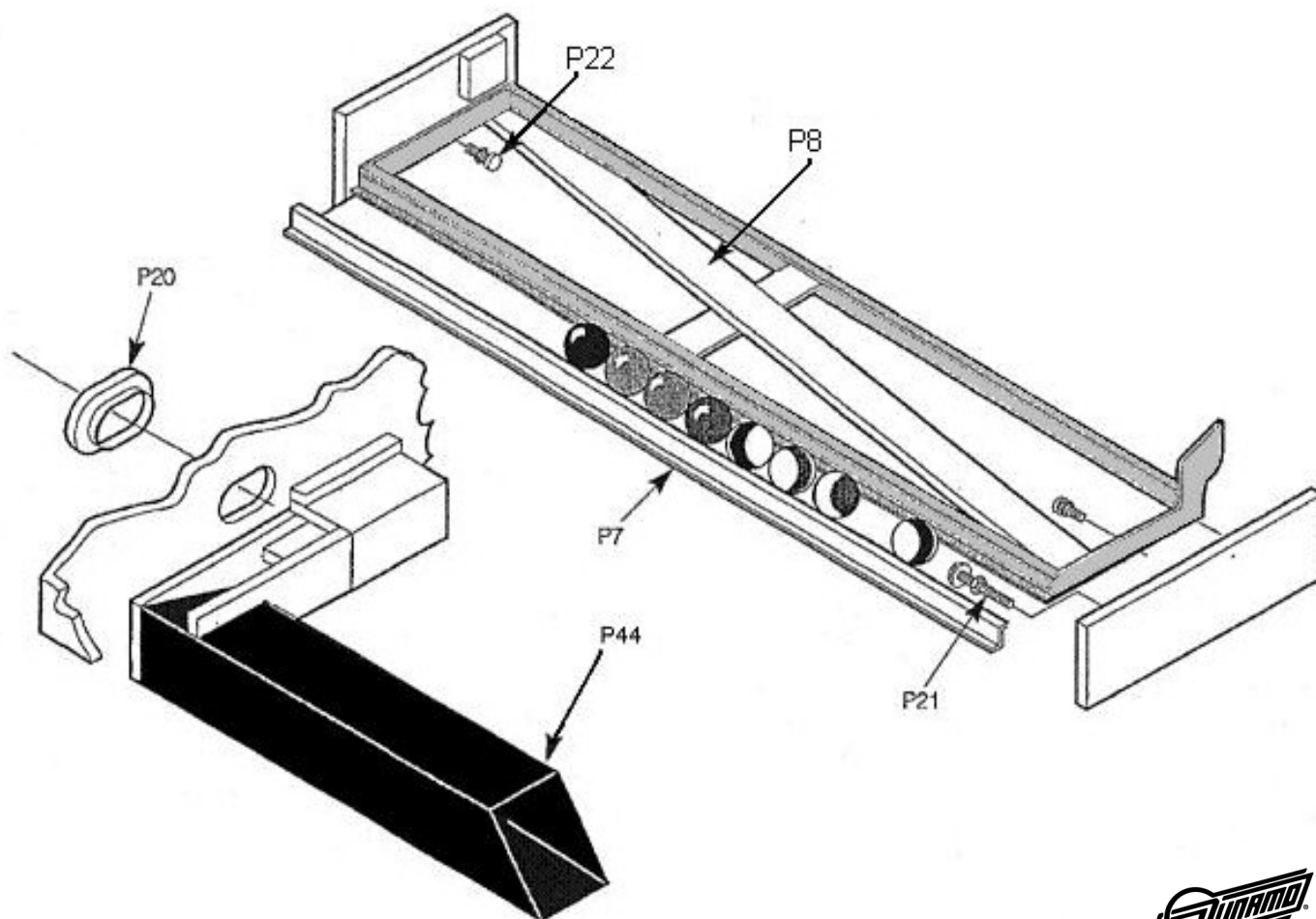


DISCONTINUED—NO PARTS AVAILABLE



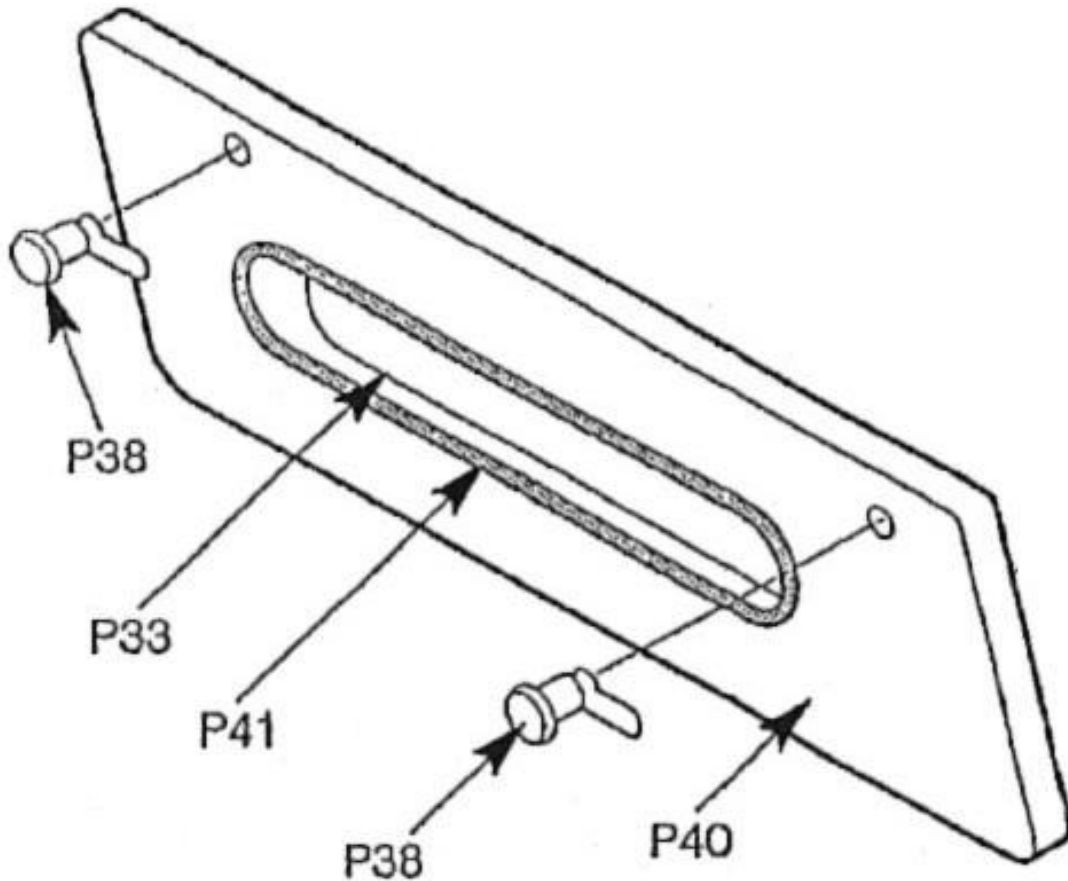
DYNAMO BALL FLAP AND CUE RETURN

REF.	Part number	description
P7	800200100	RAMP, METAL BALL DROP
P8	800200200	BALL FLAP
P20	860200100	CUE RING
P21	21700022	BALL STOP
P22	870000302	SHOULDER BOLT, 1/4-20 x 3/8 x 5/16
P44	950200770	TUBE, CUE RETURN, MODEL 48 (25 5/8")
P44	950200760	TUBE, CUE RETURN, MODEL 38 (19 3/8")
P44	950200775	TUBE, CUE RETURN, MODEL 28 (16 5/8")



DYNAMO BALL VIEW DOOR

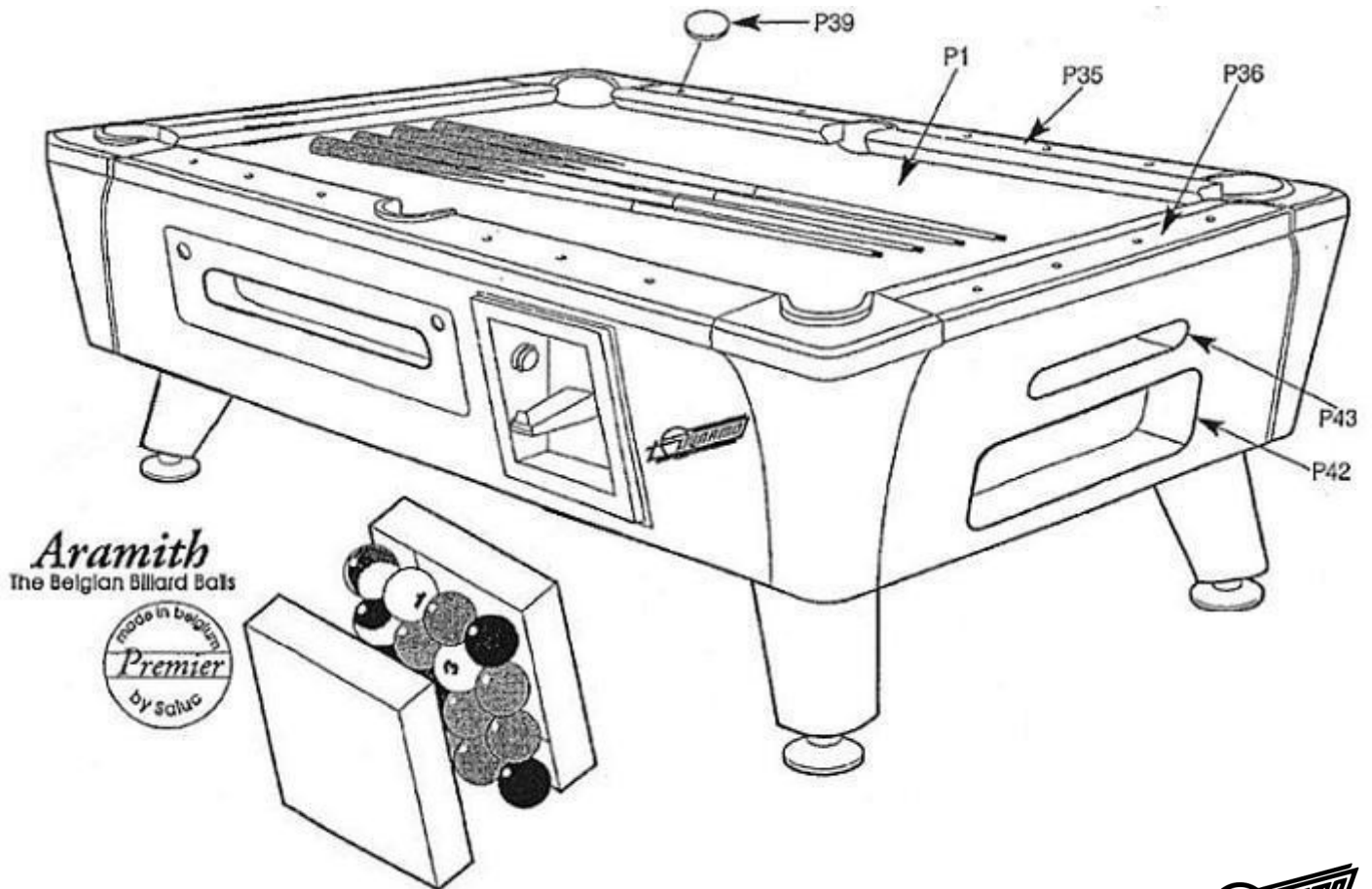
REF.	Part number	description
P33	930200805	PLEXI, DYNAMO BALL VIEW DOOR
P38	980000530	SERVICE DOOR LOCK 106 (W/ONE KEY)
P38	030000130	KEY 106 FOR SERVICE DOOR LOCK
P40	990204455-62	BALL VIEW DOOR, MAPLE
P40	9902H4451	BALL VIEW DOOR, HEARTH OAK
P40	990204455	BALL VIEW DOOR, BLACK
THESE TWO COLORS ARE AVAILABLE UPON REQUEST, TYPICAL LEAD TIME 2 WEEKS		
P40	9902G4400	BALL VIEW DOOR, BLACK W/BRASS TRIM
P40	990204400	BALL VIEW DOOR, VICTORIAN CHERRY
P40	DISCONTINUED	BALL VIEW DOOR, SUMMIT ASH
BALL VIEW DOORS ARE THE SAME SIZE FOR ALL TABLES, LOCKS NOT INCLUDED		
P41	860200301	TRIM, VIEW DOOR CHROME 70"
P41	8602G0300	TRIM, VIEW DOOR BRASS 70" (LIMITED QTY.)
VIEW DOOR TRIM MAY NEED TO BE CUT TO FIT		



DYNAMO TOP RAILS AND TRIM PIECES

REF.	Part number	description
P1	DISCONTINUED	SLATE, COVERED GREEN MODEL 17
P1	020204627	SLATE, COVERED GREEN MODEL 27
P1	020204637	SLATE, COVERED GREEN MODEL 37
P1	020204647	SLATE, COVERED GREEN MODEL 47
P39	980200725	SIGHT, WHITE PRESS-FIT
P42	860200501	TRIM, COLLECTION HOUSING 50"
P43	860200701	TRIM, TRIANGLE 31½"
CHROME TRIM MAY NEED TO BE CUT TO FIT		
BALLSET	20900015	ARAMITH BALL SET W/MAGNETIC CUE

REF	description	MODEL 27/28	MODEL 37/38	MODEL 47/48
P35	SIDE RAIL - PEAR (MAPLE)	990203527	990203537	990203547
P35	SIDE RAIL W/LCD CUTOUT- PEAR (MAPLE)	990203529	990203539	990203549
P35	SIDE RAIL - BLACK	990203127	990203137	990203247
P35	SIDE RAIL - HEARTH OAK	CALL	9902H4238	9902H4248
P36	END RAIL - PEAR (MAPLE)	990203528	990203538	990203548
P36	END RAIL - BLACK	990203128	990203138	990203347
P36	END RAIL - HEARTH OAK	CALL	9902H4338	9902H4348



PARTS FOR DYNAMO PRO PLUS® TABLES

part number	description	old part number
030000135	KEY # 7515	
030205030	DYNAMO METAL MOTOR KIT	
730200300	WIRE HARNESS, ICT DBA W/O DROP CHUTE	
730200330	WIRE HARNESS, ICT	
730200340	ICT PC BOARD SET	
800206013	MOTOR ARM	
800206040	BATTERY CHARGER STRAP	
850200215	DECAL, MULTI STICKER	
850200235	DECAL, ICT OPERATING INSTRUCTIONS (YELLOW)	
850200245	DECAL, ICT OPERATING INSTRUCTIONS (WHT/RED)	
860200902	LCD LENS W/GRAPHICS	
860300415	PLASTIC CASH BOX	
880200131	DYNAMO METAL MOTOR	880200121
880200200	ICT DOLLAR BILL ACCEPTOR 12v	
DISCONTINUED	ICT INTERFACE PCB (EURO)	880200310
880200515	12V/12AMP BATTERY	880200510
880200520	NEW—12V/18AMP BATTERY	
880200555	12V/12AMP BATTERY CHARGER	880200550
880200560	CHARGER HARNESS, 6' W/ALLIGATOR CLIP	
880200557	NEW—12V/18AMP BATTERY CHARGER	
880200605	LCD DISPLAY	
880300260	PUSH BUTTON - START	
880300265	PUSH BUTTON - START (END/SMALLER)	
880300270	PUSH BUTTON - TIME/RACK	
880303205	ICT DBA/DROP COIN DOOR (COMPLETE)	880303200
DISCONTINUED	DYNAMO PRO PLUS BALL RELEASE CABLE	890200610
980000550	LOCK # 7515	
990205040	DYNAMO PRO PLUS MOTOR ARM CABLE ASSEMBLY	



DYNAMO PARTS LISTED BY REFERENCE NUMBER

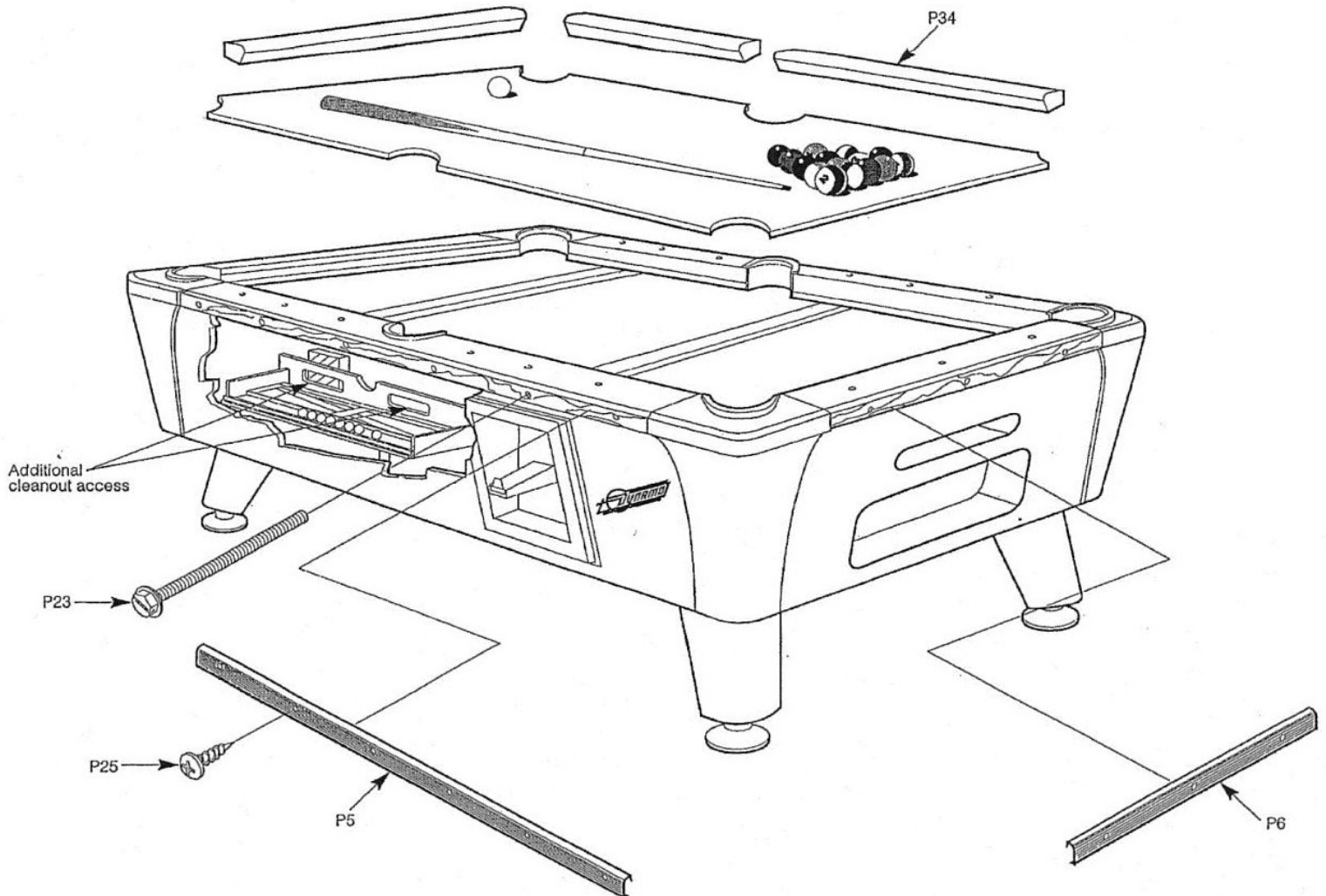
REFERENCE <i>NOT the part number.</i>	PART NUMBER	DESCRIPTION	old part number
	20900015	ARAMITH BALL SET W/MAGNETIC CUE	
	CPYOORTF	COIN COUNTER CONVERSION KIT	030200180
P1	DISCONTINUED	SLATE, COVERED GREEN MODEL 17/18	020204617
P1	020204627	SLATE, COVERED GREEN MODEL 27/28	
P1	020204637	SLATE, COVERED GREEN MODEL 37/38	
P1	020204647	SLATE, COVERED GREEN MODEL 47/48	
P2	710200400	POCKET LINERS, 3" (SET)	
P2	710200410	POCKET LINERS, FLUORESCENT, 3" (SET)	
P3	710200700	GULLEY BOOTS (SET OF 6)	
P4	720200400	CHROME CORNER CASTING	
P4	DISCONTINUED	BRASS CORNER CASTING	720202400
P4	DISCONTINUED	FLUORESCENT CORNER CASTING	720202410
P5	720201017	18 SIDE RAIL MOLDING 58" LONG—SPECIAL ORDER	
P5	720201027	28 SIDE RAIL MOLDING 65½" LONG—SPECIAL ORDER	
P5	720201037	38 SIDE RAIL MOLDING 73 7/16" LONG	
P5	720201047	48 SIDE RAIL MOLDING 81 15/16" LONG	
P6	720201717	18 END RAIL MOLDING 26" LONG—SPECIAL ORDER	
P6	720201727	28 END RAIL MOLDING 30½" LONG—SPECIAL ORDER	
P6	720201737	38 END RAIL MOLDING 33 5/16" LONG	
P6	720201747	48 END RAIL MOLDING 37 13/16" LONG	
P7	800200100	RAMP, METAL BALL DROP	
P8	800200200	BALL FLAP	
P9A	20600046	PUSH CHUTE END W/FLANGE	
P10	DISCONTINUED	BRACKET, TRIPPER ARM	800201100
P11	800204001	UNIVERSAL TRIPPER ROD AND PIN	
P11	800204010	DOOR-MOUNT-COUNTER TRIPPER ROD AND PIN	800204002
P12	990202350	SEPARATOR ASSEMBLY (MAGNETIC COMPLETE)	
P12A	800240123	SEPARATOR MAGNET COVER	
P12B	980200800	MAGNET, CUE BALL SEPARATION	
P12C	950240100	SEPARATOR, LONG BOTTOM RAIL	
P12D	950240110	SEPARATOR, SHORT BOTTOM RAIL	
P12E	950240115	SEPARATOR, TOP RAIL	
P13	860000300	DOWN CORNER, BLACK	
P14	860000402	COIN DOOR FRAME WITHOUT BUTTON HOLES	
P15	860000600	COIN BOX ENCLOSURE	
P16	860000810	PLASTIC CASH BOX	
P17	860000900	COIN BOX LID	
P18	860001325	DYNAMO LEG, BLACK	
P18	860001327	DYNAMO LEG, RED (WHILE SUPPLIES LAST)	
P19	860001900	COIN DOOR, BLACK	
P20	860200100	CUE RING	
P21	21700022	BALL STOP	
P22	870000302	SHOULDER BOLT, ¼-20 x ⅜ x 5/16	
P23	20200020	CUSHION RAIL BOLT ¼-20 x 4½"	

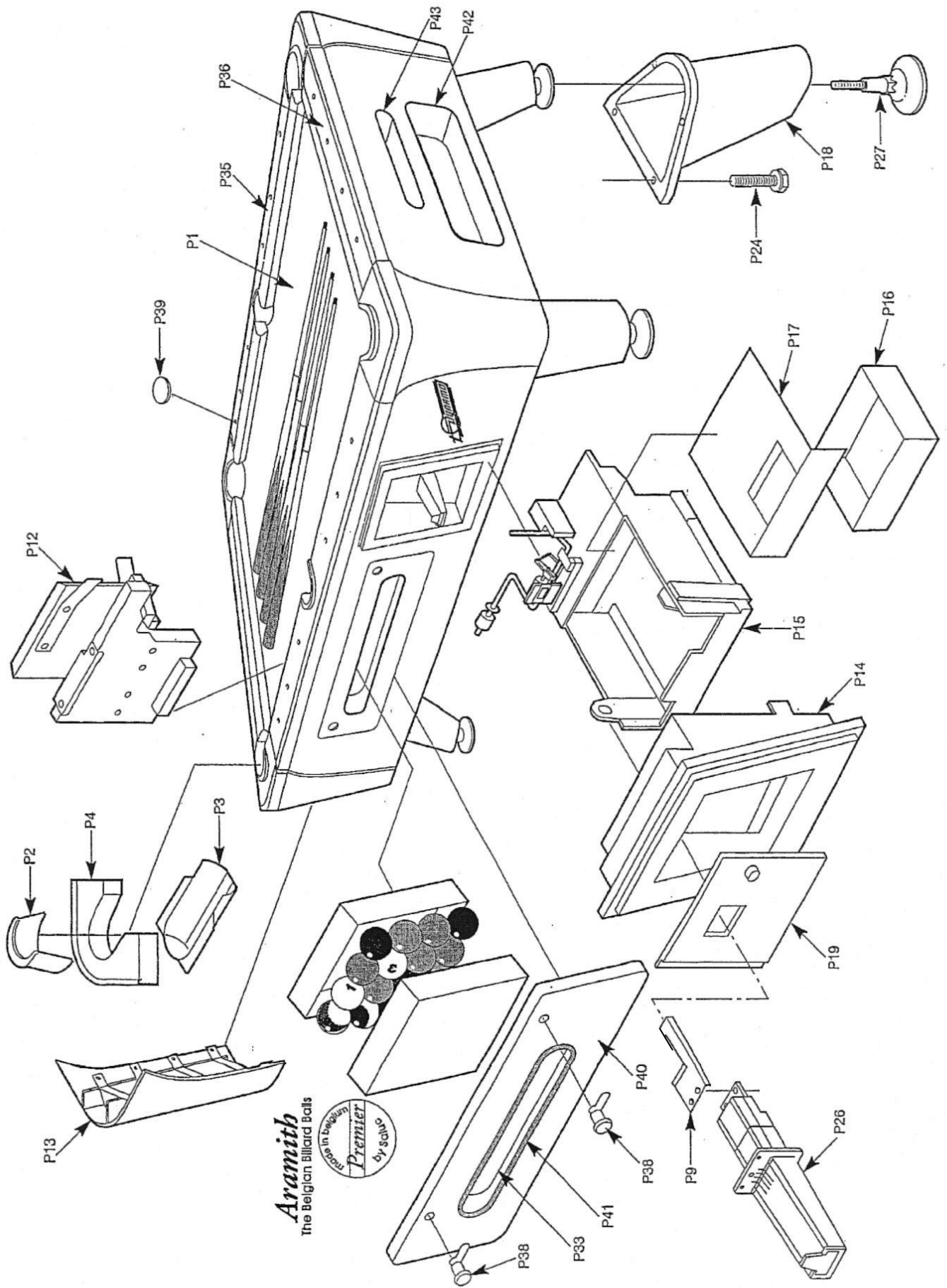
DYNAMO PARTS LISTED BY REFERENCE NUMBER

P24	20200030	LEG BOLT	
P25	20100020	RAIL MOLDING SCREW #6 x 5/8"	
P26	890000620	ESD V-5 PUSH CHUTE	
P26	890000635	ESD V-8 PUSH CHUTE	
P27	20607560	LEG LEVELER	
P28A	890200110	COUNTER W/ARM	
P29	21700120	TRIPPER ROD SPRING	
P30	890200400	PUSH SCREW LOCK	
P31	DISCONTINUED	COIN COUNTER SPRING	890200600
P31A	21703940	COUNTER SPRING W/HOOK	
P32	990205817	ASSY, POCKET RAMP SET MODEL 17/18	
P32	990205827	ASSY, POCKET RAMP SET MODEL 27/28	
P32	990205837	ASSY, POCKET RAMP SET MODEL 37/38	
P32	990205847	ASSY, POCKET RAMP SET MODEL 47/48	
P33	930200805	PLEXI, DYNAMO BALL VIEW DOOR	
P34	960201518	MODEL 17/18 CUSHION RAIL SET - COVERED	
P34	960201528	MODEL 27/28 CUSHION RAIL SET - COVERED	
P34	960201538	MODEL 37/38 CUSHION RAIL SET - COVERED	
P34	960201548	MODEL 47/48 CUSHION RAIL SET - COVERED	
P34	960202537	MODEL 37/38 CUSHION RAIL SET - UNCOVERED	
P34	960202547	MODEL 47/48 CUSHION RAIL SET - UNCOVERED	
P35	990203527	SIDE RAIL - PEAR (MAPLE) MODEL 27/28	
P35	990203529	SIDE RAIL W/LCD CUTOUT- PEAR (MAPLE) MODEL 27/28	
P35	990203537	SIDE RAIL - PEAR (MAPLE) MODEL 37/38	
P35	990203539	SIDE RAIL W/LCD CUTOUT- PEAR (MAPLE) MODEL 37/38	
P35	990203137	SIDE RAIL - BLACK MODEL 37/38	
P35	9902H4238	SIDE RAIL - HEARTH OAK MODEL 37/38	
P35	990203547	SIDE RAIL - PEAR (MAPLE) MODEL 47/48	
P35	990203549	SIDE RAIL W/LCD CUTOUT- PEAR (MAPLE) MODEL 47/48	
P35	990203247	SIDE RAIL - BLACK MODEL 47/48	
P35	9902H4248	SIDE RAIL - HEARTH OAK MODEL 47/48	
P36	990203528	END RAIL - PEAR (MAPLE) MODEL 27/28	
P36	990203538	END RAIL - PEAR (MAPLE) MODEL 37/38	
P36	990203138	END RAIL - BLACK MODEL 37/38	
P36	9902H4338	END RAIL - HEARTH OAK MODEL 37/38	
P36	990203548	END RAIL - PEAR (MAPLE) MODEL 47/48	
P36	990203347	END RAIL - BLACK MODEL 47/48	
P36	9902H4348	END RAIL - HEARTH OAK MODEL 47/48	
P37	980000350	COIN DOOR LOCK (2 KEYS)	
P38	030000130	KEY 106 FOR SERVICE DOOR LOCK	
P38	980000530	SERVICE DOOR LOCK 106 (W/ONE KEY)	
P39	980200725	SIGHT, WHITE PRESS-FIT	
P40	DISCONTINUED	BALL VIEW DOOR, SUMMIT ASH	

DYNAMO PARTS LISTED BY REFERENCE NUMBER

REF.	Part number	description	old part number
P40	990204400	BALL VIEW DOOR, VICTORIAN CHERRY (special order)	
P40	990204455	BALL VIEW DOOR, BLACK	
P40	990204455-62	BALL VIEW DOOR, MAPLE	
P40	9902G4400	BALL VIEW DOOR, BLACK W/BRASS	
P40	9902H4451	BALL VIEW DOOR, HEARTH OAK	
P41	860200301	TRIM, VIEW DOOR CHROME 70"	860200300
P41	8602G0300	TRIM, VIEW DOOR BRASS 70" (LIMITED QTY.)	
P42	860200501	TRIM, COLLECTION HOUSING 50"	860200500
P43	860200701	TRIM, TRIANGLE 31½"	860200700
P44	950200775	TUBE, CUE RETURN, MODEL 27/28 (16⅝")	
P44	950200760	TUBE, CUE RETURN, MODEL 37/38 (19⅝")	
P44	950200770	TUBE, CUE RETURN, MODEL 47/48 (25⅝")	
P45	990203836-62	CLEAN OUT DOOR, PEAR (MAPLE)	
P45	9902H3836	CLEAN OUT DOOR, HEARTH OAK	
P45	9902B3836	CLEAN OUT DOOR, BLACK	
P45	DISCONTINUED	CLEAN OUT DOOR, SUMMIT ASH	





Aramith
 The Belgian Billiard Balls
 Made in Belgium
Premier
 by Aramith