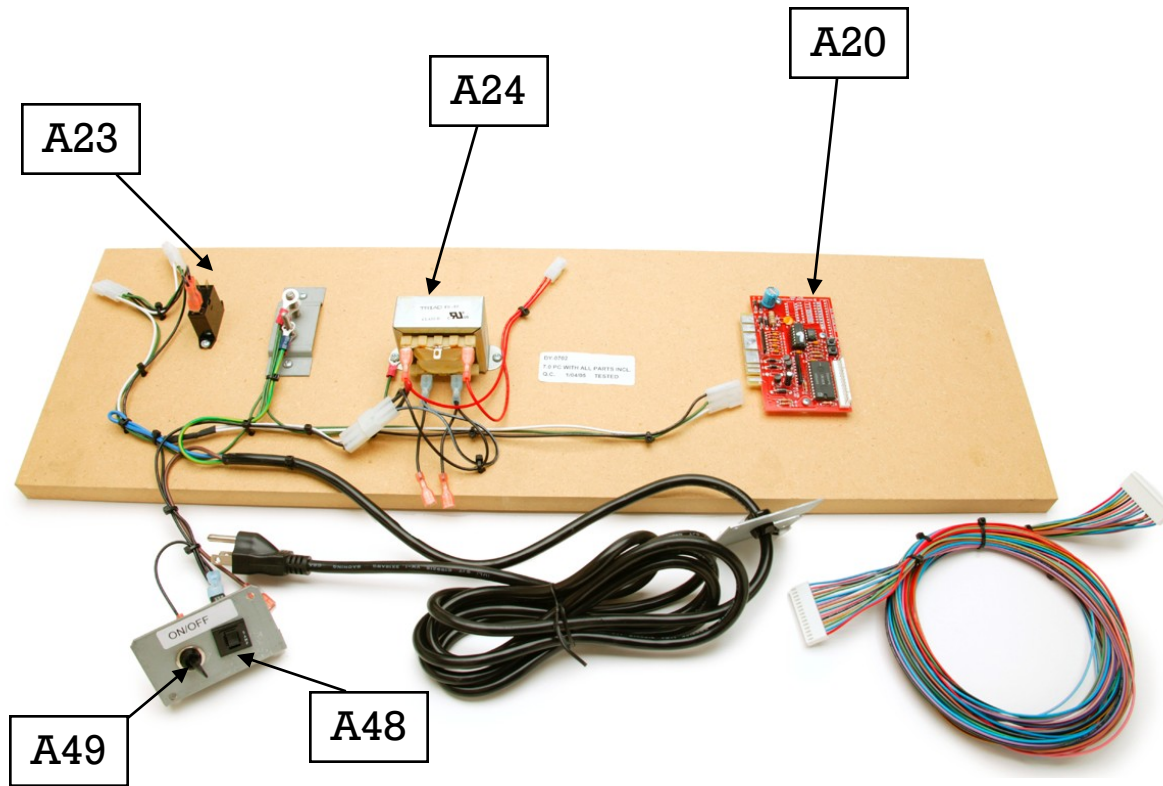
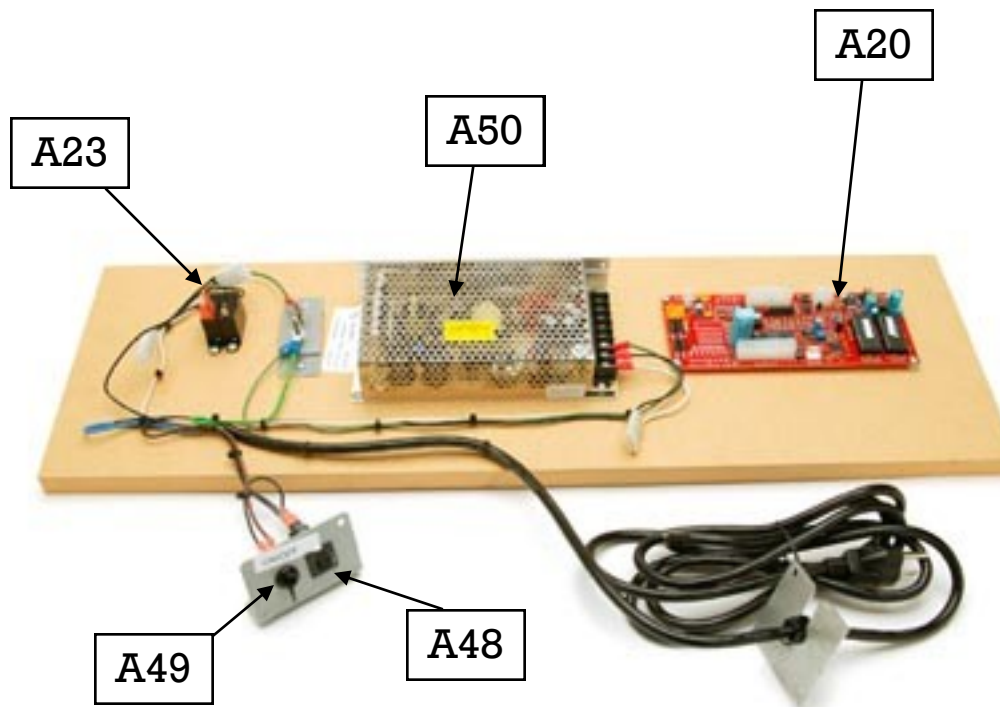


Before you begin: Please check **all pages** of this breakdown. These are not part numbers. There is no such thing as an 'A37' or 'A3'. Each number on this page is simply an identifier, and PAGES 4-7 will list the part number (or numbers) corresponding to the identifier.



A45

**DOMESTIC HOCKEY v7.01
Main Board assembly**



A45

DOMESTIC HOCKEY v9.0 Main Board assembly

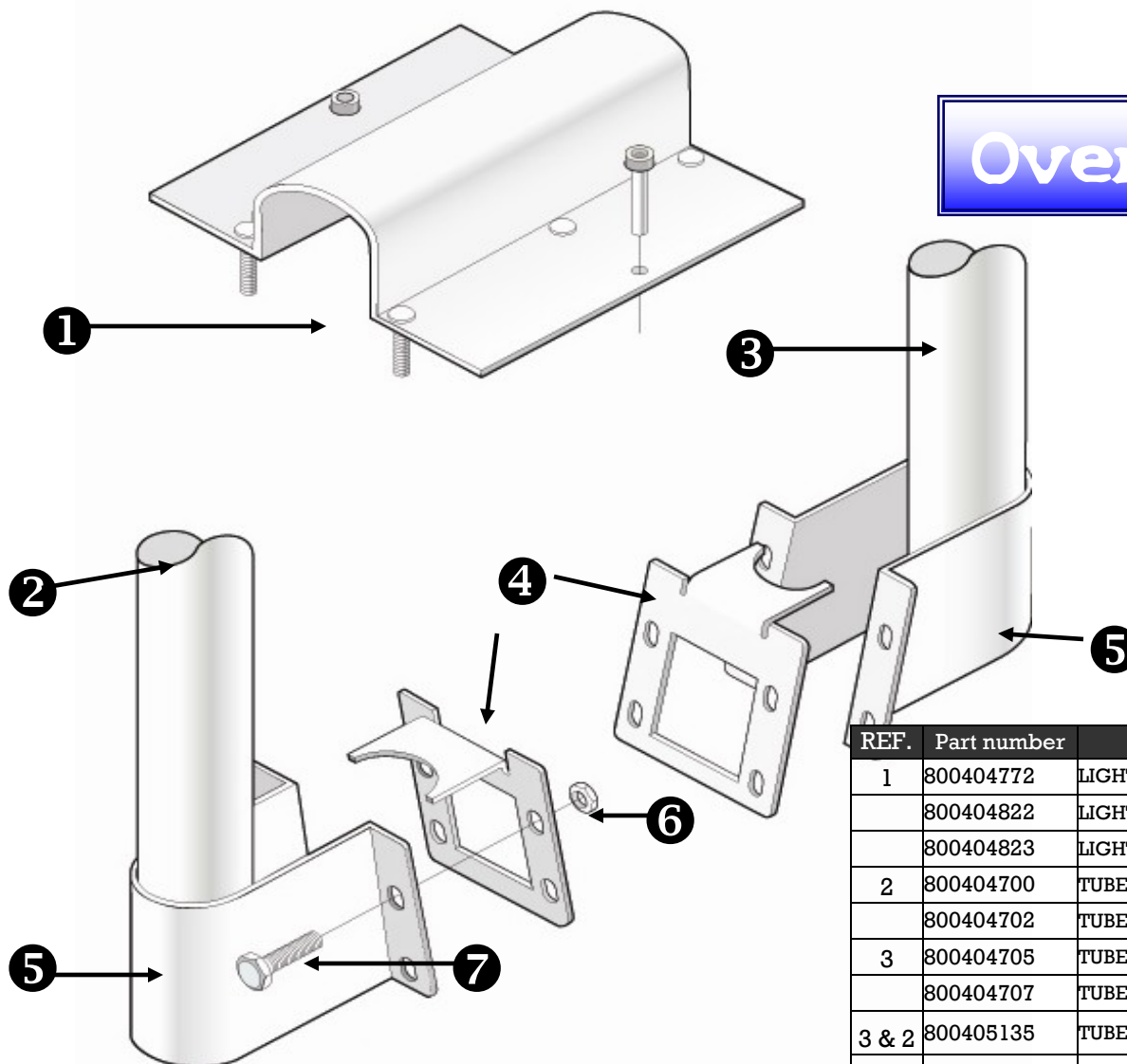
Ref #	Part Number	Item Description	Old Number
*	860400090	PUCK, FLUORESCENT	
*	860400150	PUCK, FLUOR QUIET WHITE	
*	860400210	MALLET, FLUORESCENT WHITE	
*	980400200	SANDPAPER DISC	
A1	030400250	SHIELDS - 2 PIECE (WHILE SUPPLIES LAST)	
A1	030400250	SHIELDS - 3 PIECE SET (AVAILABLE MAY 2010)	
A2	020400370	Over Head HF II 110V USE 110V BALLAST	
A2	020400380	Over Head HF II 220V USE 220V BALLAST	
A2	880403101	SCORE DISPLAY BOARD OVER HEADS 2 PER OVERHEAD	
A2	730400250	WIRE HARNESS, OVERHEAD - COMPLETE	
A2	880400100	BALLAST 110 VOLT OVERHEAD	
A2	880400105	BALLAST,220V 50HZ OVERHEAD	
A2	no longer stocked	BULB, BLACK LIGHT 18"(5V872)	980400800
A2	no longer stocked	BULB, COOL WHITE NON BLACK LIGHT	880405000
A2	no longer stocked	BULB,FLOR. BLACK LIGHT WHITE	880405040
A3	800401920	GOAL END, SCREW ENTRY, BLACK, STANDARD / PROSTYLE	
A3A	800401921	GOAL END, LOCK ENTRY, BLACK, COMET / PROSTYLE	
A3	800401990	GOAL END, SCREW ENTRY, FLUORESCENT, HOT FLASH II	
A3A	800401991	GOAL END, LOCK ENTRY, FLUORESCENT, HOT FLASH II	
A3	800400930	GOAL END, SCREW ENTRY, BLUE, DELUXE/ PHOTON	
A3A	discontinued	GOAL END, LOCK ENTRY, BLUE, PHOTON	800400931
A3	800400940	GOAL END, SCREW ENTRY, RED, DELUXE	
A3A	800400951	GOAL END, LOCK ENTRY, SILVER PAF8	
A3	discontinued	GOAL END, SCREW ENTRY, YELLOW, STINGER	800401981
A3A	800400980	GOAL END, LOCK ENTRY, YELLOW, STINGER - special order	
A3	discontinued	GOAL END, SCREW ENTRY, PURPLE, HOT FLASH 1	800401980
A3A	800450010	GOAL END, FIRE STORM ORANGE W/SPEAKER OPENING	
A3	850400470	INFRA RED SHIELD, SCORE OPTIC 6 X 6 DECAL	
A4	800401800	GOAL ENTRY	
A5	030402015	KIT, SIDE MOUNT SCORING DISPLAY	
A5	800401910	BRKT, SCORE SIDE MOUNT, BLACK	
A5	860400300	LENS, RED SIDE MOUNT SCORE DISPLAY	
A5	730408400	WIRE HARNESS, SCORE, SIDE MOUNT EXTENSION	
A6	800402300	BRACKET,SOLENOID	
A6	800402310	BRACKET,DC SOLENOID	
A8	860000300	CORNER, DOWN (108) BLACK	
A9	860000402	FRAME, BLACK WITHOUT BUTTON HOLES	
A9	860000405	FRAME, RED WITHOUT BUTTON HOLES	
A10	860000600	ENCLOSURE, COIN BOX (60)	
A11	860000810	CASH BOX,PLASTIC	

Ref #	Part Number	Item Description	Old Number
A12	860000900	LID, COIN BOX (48)	
A13	860001325	LEG, BLACK	
A13	860001327	LEG, RED (WHILE SUPPLIES LAST)	
*	20600961	SLAB BASE T-NUT, 1/2-13 LEG LEVELER T NUT	
A14	860001900	DOOR, COIN BLACK	
A15	860400030	CORNER, PLASTIC COVER HOCKEY	860400010
A16	860404605	PLEX, PURPLE OVER HEAD DISPLAY 2 PIECE SYSTEM SOLD AS EA	
A17	860405001	PLATE, PROXIMITY TRIGGER	P860405001
A18	20200030	5/16-18 x 1 1/2 " SLT HEX W/WSR Leg Bolt	
A19	discontinued	MS, 1/4-20 x 1 1/2 " PAN PHILLIPS STAINLESS STEEL RAIL BOLT	870011309
A19	870012309	MS, 1/4-20 x 1 1/2 " PAN PHILLIPS BLACK RAIL / GOAL BOLT	870012311
A19	870054205	INSRT, THREADED 1/4-20X.984 D142025 GOAL ANCHOR	
A19A	980000705	LOCK WITH 1KEY #J8045 SCREW LOCK GOAL ENDS	
A19A	030000140	KEY J8045 GOAL ENDS	
A20	880400140	PCB, 9.0 DOMESTIC HOCKEY FOR ARENA	
A20	880400125	PCB, 7.0 DOMESTIC HOCKEY LOGIC USE WITH 880400715 10V TRANSFORM	
A21	880400202	BOARD, LED SCORE SIDE MOUNT	
A22	880400300	SOLENOID, 120 AC	
A22	880400320	SOLENOID, 12 DC CE TABLES ONLY	
*	879900150	SOLENOID LOCKING PIN, 1/8 x 3/4 ROLL PIN	
*	980400100	SOLENOID RETURN SPRING	
A23	880400600	RELAY, G4W-11123A USTV8HP12DC	
A24	880400710	TRANSFORMER, 110V TO 12V AC	
A24	880400715	TRANSFORMER, 120V TO 10V AC - USE WHEN UPGRADING pre-2004	
A24	880400720	TRANSFORMER, STEP DOWN 220V TO 110V AC	
A25	880400900	BLOWER MOTOR, 110V	
A25	880400910	BLOWER MOTOR, 220V	
A25	discontinued	FILTER, 10 X 20 X 1	980400500
A25	980400400	BLOWER MOTOR GASKET	
A26	880401700	MICROSWITCH, SCORING (not used since 1993)	880401650
A27	030400500	KIT COIN SWITCH MODIFICATION	
A27	880404000	COIN SWITCH SENOR LOCATED INSIDE THE TABLE USED WITH # 880404100	
A28	880404100	COIN SWITCH MAGNET LOCATED ON THE PUSH CHUTE USED WITH # 880404000	
A29	880404200	SCORE OPTIC BOARD	
A30	890000620	PUSH CHUTE V5 CRM \$1&(4) \$0.25 SET @ \$0.75	
A30	890000630	PUSH CHUTE V8 CRM \$1&(7) \$0.25 SET @ \$1.25	
A30		CONTACT VALLEY-DYNAMO FOR A SELECTION OF ADDITIONAL PUSH CHUTES	
A31	20607560	LEG LEVELER	
A32	960402805	DROP, PUCK	P960402800
A33	discontinued	KEY 2255	030000120
A33	030000130	KEY #106	

Ref #	Part Number	Item Description	Old Number
A33	980000350	LOCK, 2 KEY COIN DOOR	
A33	980000530	LOCK, 1 KEY KA SAME 106 SERVICE DOORS	
A33	990400602	ACCESS SERVICE DOOR HOCKEY - UNFINISHED	P990400602
A33	990400603	ACCESS SERVICE DOOR HOCKEY - BLACK	P990400603
A34	720401300	RAIL, SIDE FOR 8' TABLE	
A35	720402200	RAIL, END RIGHT FOR 8' TABLE	
A36	720402400	RAIL, END LEFT FOR 8' TABLE	
A34	720401450	RAIL, SIDE FOR 7' TABLE	
A35	720402350	RAIL, END RIGHT FOR 7' TABLE	
A36	720402450	RAIL, END LEFT FOR 7' TABLE	
A34	7204Y1305	SIDE RAIL, FLUORESCENT	
A35	7204Y2205	END RAIL, RIGHT FLUORESCENT	
A36	7204Y2405	END RAIL, LEFT FLUORESCENT	
A37	020407020	PLAYFIELD 7' SECOND - limited availability	
A37	020407025	PLAYFIELD 8' HOT FLASH II SECOND - limited availability	
A37	020407030	PLAYFIELD 8' SECOND - limited availability	
A37	020407031	PLAYFIELD BLUE W/LOGO	
A37	020407181	PLAYFIELD HF II NEON	
A37	020407190	PLAYFIELD PHOTON (LIGHT BLUE/GREY) - while supplies last	
A37	020407425	PLAYFIELD 7' PRO-STYLE & BLUE STREAK	
A37	DISCONTINUED	PLAYFIELD PURPLE	020407180
A37	DISCONTINUED	PLAYFIELD HOTFLASH 3X6 NEON	020407185
A37	DISCONTINUED	PLAYFIELD, STINGER	020407220
A38	800404720	LIGHT HOUSING BRACKET - HF II FLUORESCENT	
A38	DISCONTINUED	LIGHT HOUSING BRACKET - BLUE	800404721
A38	800404822	LIGHT HOUSING BRACKET - YELLOW (STINGER)	800404820
A38	800404823	LIGHT HOUSING BRACKET - SILVER	
A39	800404700	TUBE, OVERHEAD MALE - HF II FLUORESCENT	
A39	800404701	TUBE, OVERHEAD MALE - BLUE	
A39	800404702	TUBE, OVERHEAD MALE - SILVER (PRO STYLE)	
A40	800404705	TUBE, OVERHEAD FEMALE - HF II FLUORESCENT	
A40	800404706	TUBE, OVERHEAD FEMALE - BLUE	
A40	800404707	TUBE, OVERHEAD FEMALE - SILVER (PRO STYLE)	
A39,A40	800405135	TUBE, OVERHEAD SILVER (ARENA)	
A41	800404750	MOUNTING BRACKET CLAMP - HF II FLUORESCENT	
A41	DISCONTINUED	MOUNTING BRACKET CLAMP - BLUE	800404751
A41	800404752	MOUNTING BRACKET CLAMP - SILVER	
A41	800404852	MOUNTING BRACKET CLAMP - YELLOW (STINGER)	
A42	800404726	MOUNTING BRACKET (SIDE) - HF II FLUORESCENT	
A42	DISCONTINUED	MOUNTING BRACKET (SIDE) - BLUE	800404727
A42	800404728	MOUNTING BRACKET (SIDE) - SILVER	
A42	800404827	MOUNTING BRACKET (SIDE) - YELLOW (STINGER)	
A43	870048150	WASHER ¼" ZINC	
A44	870012307	SCREW, BLACK, PAN HEAD PHILLIPS ¼"-20 x 1"	

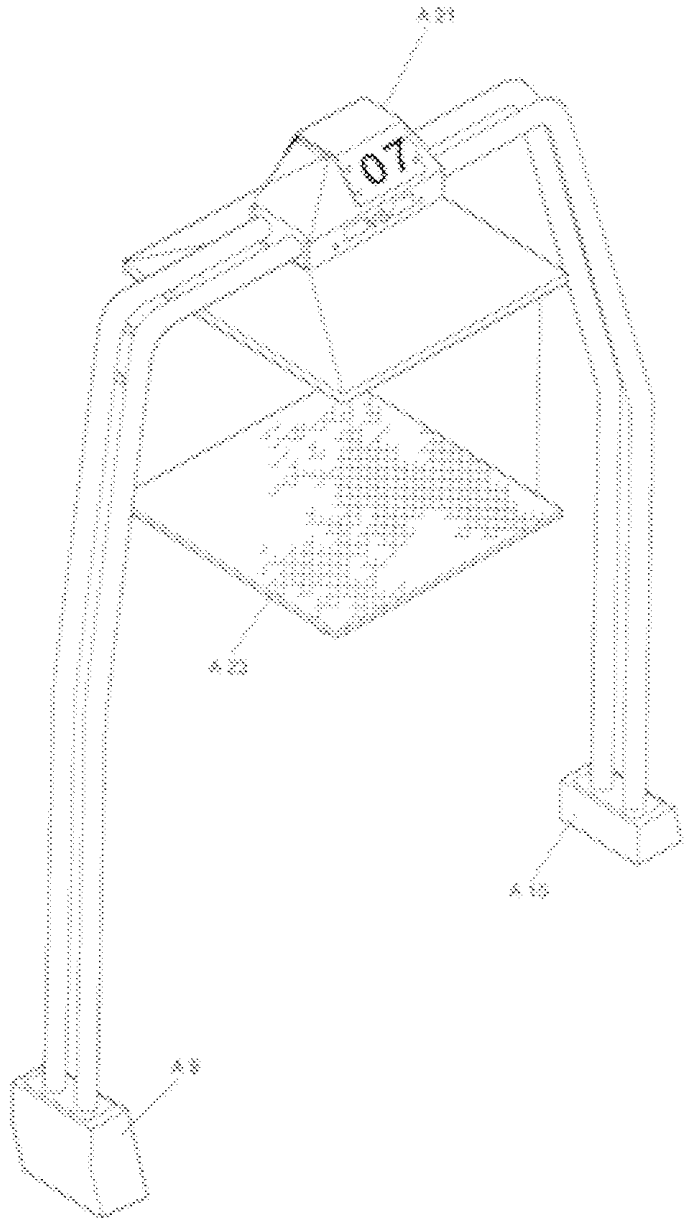
Ref #	Part Number	Item Description	Old Number
A45	990401000	ASSY, SERVICE PANEL VER. 7.0 - SPECIAL ORDER	
A46	860401458	DECAL,SIDE HOT FLASH II	
A46	860404010	DECAL SIDE PHOTON	
A46	860404160	DECAL,SIDE BLUE STREAK	
A46	860404185	DECAL,SIDE ARENA	
A46	DISCONTINUED	DECAL SIDE STINGER	860404110
A47	860403458	DECAL,END HOT FLASH II	
A47	860404000	DECAL END PHOTON (PLAIN BLACK)	
A47	860404100	DECAL END STINGER	
A47	860404150	DECAL,END BLUE STREAK	
A47	860404180	DECAL,END ARENA	
A48	880401175	5-AMP BREAKER	
A49	880301420	ON/OFF ROCKER SWITCH	
A50	880300750	POWER SUPPLY, ARENA/v9.0 AIR HOCKEY	
*	730400100	WIRE HARNESS, MAIN HOCKEY	
*	730400200	WIRE HARNESS, EXPORT CE HOCKEY	
*	730408305	WIRE HARNESS, SCORE DISPLAY MAIN	
*	850000160	LOGO, DYNAMO NEON YELLOW	
*	850000300	LOGO, DYNAMO 3M3658 ALUM.	
*	850404030	LABEL,CAUTION PUCK	
*	860402010	GOAL END NUT BLOCK	
*	800401000	GOAL END NUT BRACKET	

Overhead brackets.



REF.	Part number	description
1	800404772	LIGHT HOUSING BRACKET - HF II FLUORESCENT
	800404822	LIGHT HOUSING BRACKET - YELLOW (STINGER)
	800404823	LIGHT HOUSING BRACKET - SILVER (PRO STYLE)
2	800404700	TUBE, OVERHEAD MALE - HF II FLUORESCENT
	800404702	TUBE, OVERHEAD MALE - SILVER (PRO STYLE)
3	800404705	TUBE, OVERHEAD FEMALE - HF II FLUORESCENT
	800404707	TUBE, OVERHEAD FEMALE - SILVER (PRO STYLE)
3 & 2	800405135	TUBE, OVERHEAD SILVER (ARENA)
4	800404750	MOUNTING BRACKET CLAMP - HF II FLUORESCENT
	800404752	MOUNTING BRACKET CLAMP - SILVER
	800404852	MOUNTING BRACKET CLAMP - YELLOW (STINGER)
5	800404726	MOUNTING BRACKET (SIDE) - HF II FLUORESCENT
	800404728	MOUNTING BRACKET (SIDE) - SILVER
	800404827	MOUNTING BRACKET (SIDE) - YELLOW (STINGER)
6	870048150	WASHER ¼" ZINC
7	870012307	SCREW, BLACK, PAN HEAD PHILLIPS ¼ -20 x 1"

BLUE BRACKETS FOR DYNAMO PHOTON TABLES ARE DISCONTINUED
NO LONGER AVAILABLE



Parts for this style of overhead are no longer available.